

# DATA SHEET



**DIGMESA** 

---

FHKU G1/2" 100 Ryton  
Part number: 938-6800/CE184

# General Description

The FHKU Flowmeter is a general-purpose device; specially for higher throughputs of up to approx. 30 l/min. It is employed for measuring, regulating or metering and guarantees most precise measurement of fluid quantities. In addition, a pulse generator integrated into the flowmeter guarantees a practically unlimited useful life.

**Special features:** Able to withstand high temperatures, good resistance to chemicals. Linear inlet and outlet, compact design.

## Approvals / Standards

EN 50081-1:92, EN 50082-1:97,  
EN 61000-3-2:00, EN 61000-3-3:95,  
IEC 61000-6-3:96, IEC 61000-6-1:96,  
IEC 61000-3-2:00, IEC 61000-3-3:94 + A1:01



## Material:

Housing: PPS 40%GF (Ryton)  
Bearing pin: PCTFE  
O-ring: EPDM  
Turbine: PVDF 4 Magnets  
Magnets: Keramik Sr Fe O  
(not in contact with the medium)  
Screw: Inox A2 PT-screws  
(Phillips cross recessed)

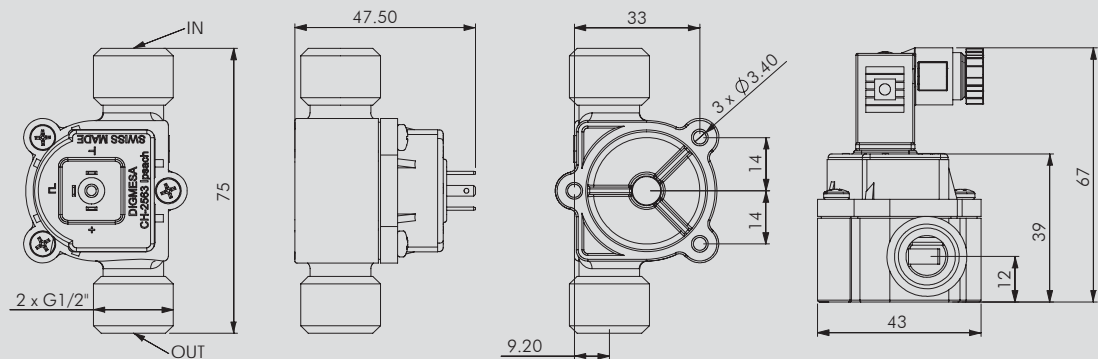
## Technical data:

Flow rate: 3 - 30 l/min  
Measuring accuracy: +/- 2.0%  
Repetition: < +/- 0.25%  
Temperature range: -10°C to +100°C  
14°F to 212°F  
Pressure range: 20 bar at 20°C  
290 psi / 68°F  
Mounting position: Horizontal recommended  
Nozzle size: Ø 10.0 mm

## Electrical connection ratings:

Power supply: 4.5–24 VDC  
Consumption: 5 mA to max. 13 mA  
Signal connection: Open collector PNP  
Signal voltage: 0 V GND  
Signal load: max. 20 mA  
Leakage current: max. 10 µA  
Connections: 3-pin AMP 2.8 x 0.8 mm  
Signal: Square-wave output  
Duty Cycle: 50% / ±5%

## Dimensions in mm:



## Options:

3-pin solenoid socket  
Item number: 941-0002/3



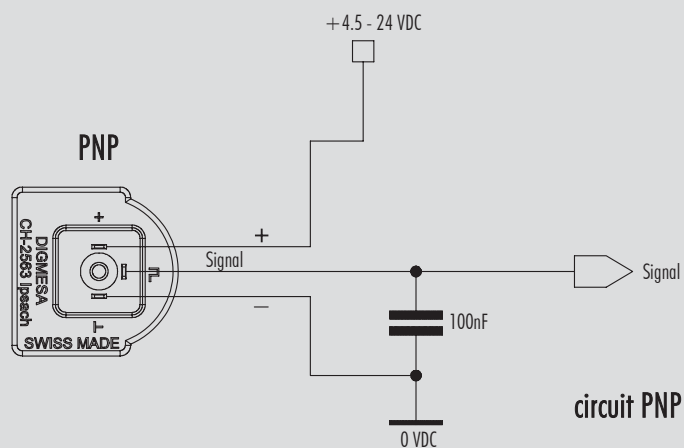
We reserve the right to make modifications in the interests of technical progress.

## RESISTANCE

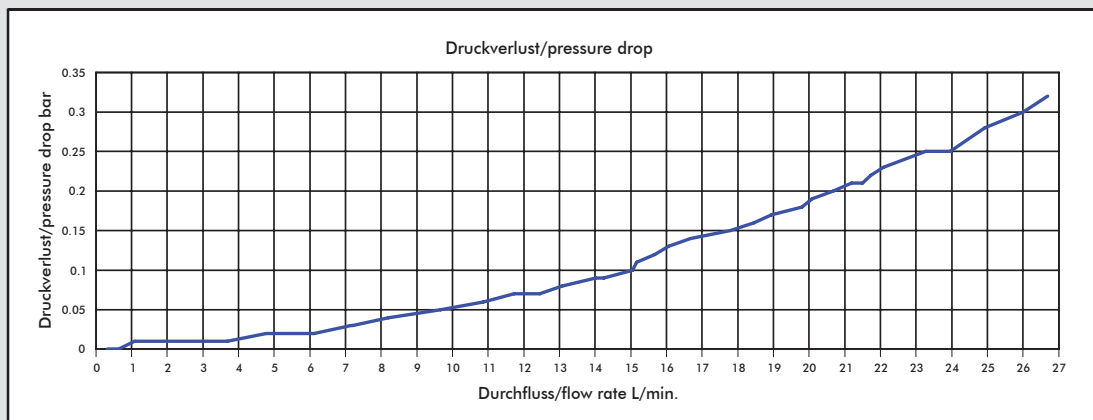
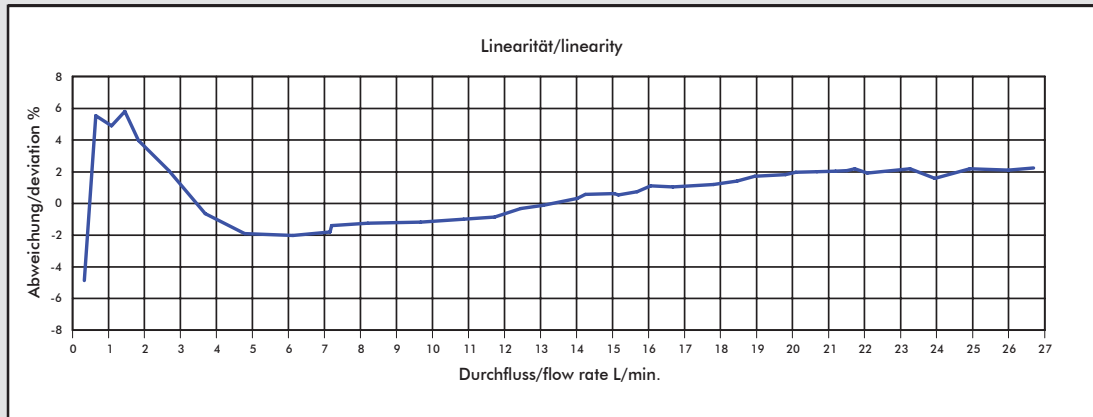
Special regulations which must be complied with by the flowmeter manufacturer apply to each country, e.g. CE, NSF, FDA and SK. The various media flowing through the flowmeter differ from application to application. You are advised to enquire with the medium manufacturer as to whether the entire installation and the flowmeter are resistant to the medium itself (see Material)!

Version 01 FHKU 938-6800/CE184 GB Page 2-5

# Interface Anschluss: Beispiele circuit PNP



# Measurement Curve FHKU Arnite 10.00mm (4 Magnets)



Medium: Water / max. Pressure: 3.3 bar

Nozzle size	Pulses/litre	g/pulse	min. flow rate in litres/min at Linear start	max. flow rate in litres/min	Pressure loss
Ø 10.00 mm	130	7.685	3.00	26.69	0.32

## MEASUREMENT TIPS

- Ensure that there is no fast-pulsatory movement of the media
- Ensure that there are no reverse pressure surges
- Ensure that there is no air in the system
- Note the mounting position of the flowmeter
- Min/max flow should be in the linear range of the selected flowmeter
- Clean the system at appropriate intervals
- Avoid electrical current peaks
- Incorrect cabling of power supply +, signal and ground will destroy the flowmeter
- Do not mechanically load electrical contacts
- Avoid moisture on the electrical contacts
- Avoid stray pick-up via the cable (Do not lay cables in parallel with high current loads)

**The values specified must be considered as approximate values.**

**The number of pulses per litre may differ depending on medium and installation.**

**We recommend to calibrate the number of pulses per litre in line with the complete installation.**

