

DATA SHEET



DiGEMSA 

FFG 60 PVDF
Part number: 934-2360

General Description

The FFG 60 Flowmeter is a general-purpose device; its working range can be individually defined according to the nozzle size. It is employed for measuring, regulating or metering and guarantees most precise measurement of fluid quantities. In addition, a pulse generator integrated into the flowmeter guarantees a practically unlimited useful life.

Special features: able to withstand high temperatures, good resistance to chemicals. Compact design, great working range, depending on the nozzle diameter. Inlet and outlet are freely selectable without a nozzle. With a nozzle, the inlet is always on the same side as the nozzle. **Employed in the semiconductor (wafer polishing) sector due to the high purity of materials used.**

Approvals / Standards

EN 50081-1:92, EN 50082-1:97,
EN 61000-3-2:00, EN 61000-3-3:95,
IEC 61000-6-3:96, IEC 61000-6-1:96,
IEC 61000-3-2:00, IEC 61000-3-3:94 + A1:01



Material:

Housing:	PVDF
Bearing pin:	PCTFE
Nozzle:	PTFE
O-ring:	FPM (Viton) EPDM / Kalrez on request
Turbine:	PVDF 4 Magnets 2 Magnets on request
Magnets:	Keramik Sr Fe O (not in contact with the medium)
Flat cap spinell:	Spinell blue (MgO 3.5 Al ₂ O ₃)

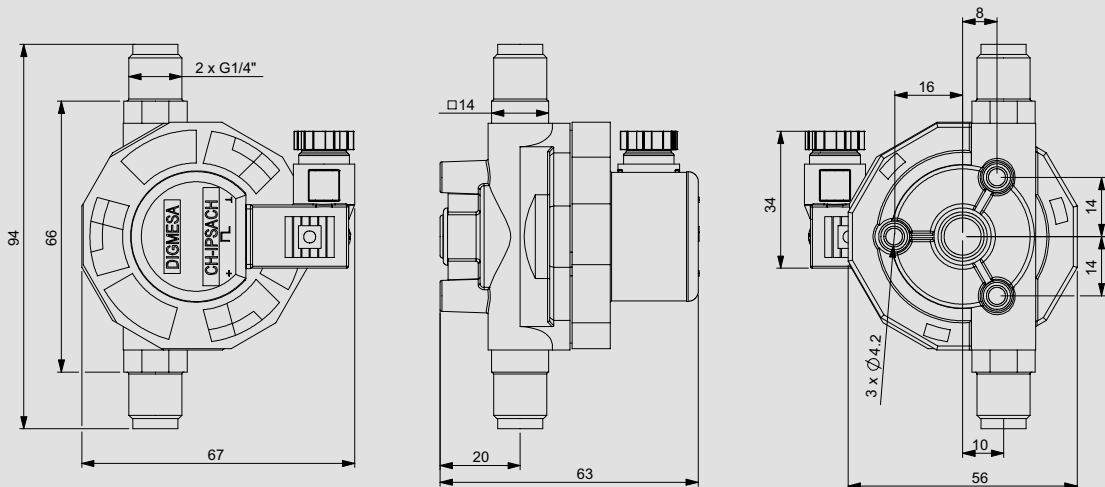
Technical data:

Flow rate:	0.021 - 15.75 l/min depending on the nozzle diameter
Measuring accuracy:	+/- 2.0%
Repetition:	< +/- 0.25%
Temperature range:	-10°C to +100°C 14°F to 212°F
Pressure range:	5.5 bar at 20°C 79 psi / 68°F
Mounting position:	Horizontal recommended
Nozzle size:	Ø 1.0, 2.0, 3.0, 4.0, 6.0mm

Electrical connection ratings:

Power supply:	4.5–24 VDC
Consumption:	5 mA to max. 13 mA
Signal connection:	Open collector NPN
Signal voltage:	0 V GND
Signal load:	max. 20 mA
Leakage current:	max. 10 µA
Connections:	3-pin AMP 2.8 x 0.8 mm
Signal:	Square-wave output
Duty Cycle:	50% / ± 5%

Dimensions in mm:



Included in the delivery:

3-pin solenoid socket
Item number: 941-0002/3



We reserve the right to make modifications in the interests of technical progress.

RESISTANCE

Special regulations which must be complied with by the flowmeter manufacturer apply to each country, e.g. CE, NSF, FDA and SK. The various media flowing through the flowmeter differ from application to application. You are advised to enquire with the medium manufacturer as to whether the entire installation and the flowmeter are resistant to the medium itself (see Material)!

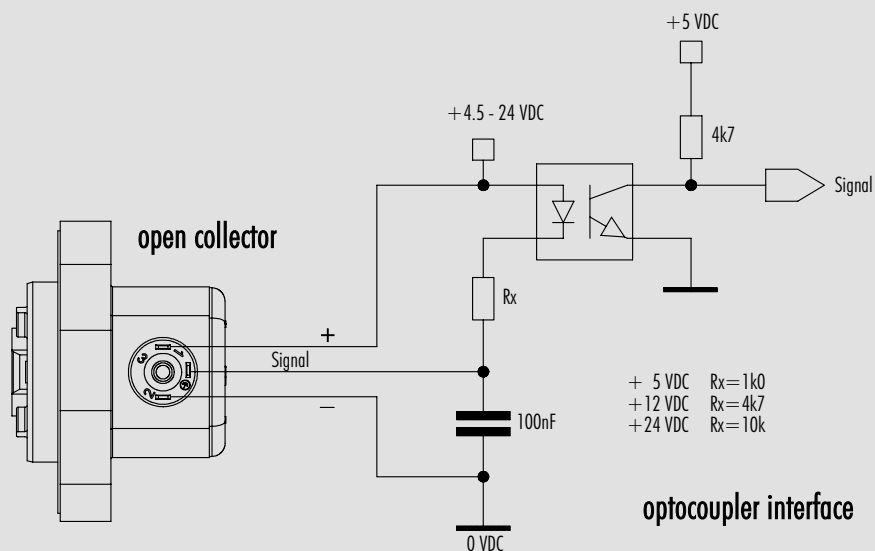
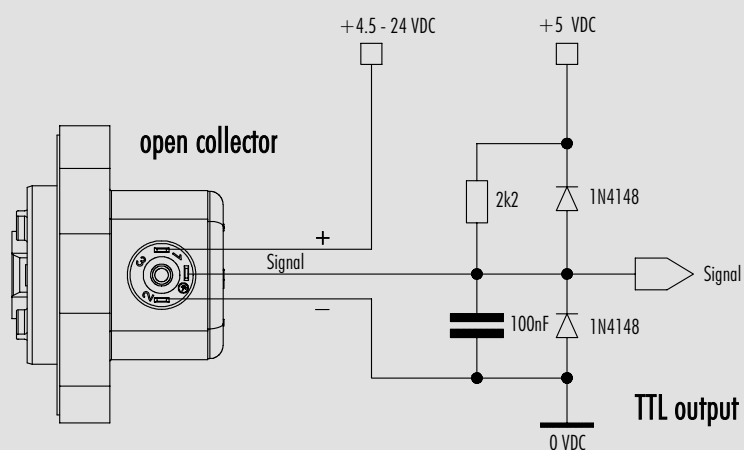
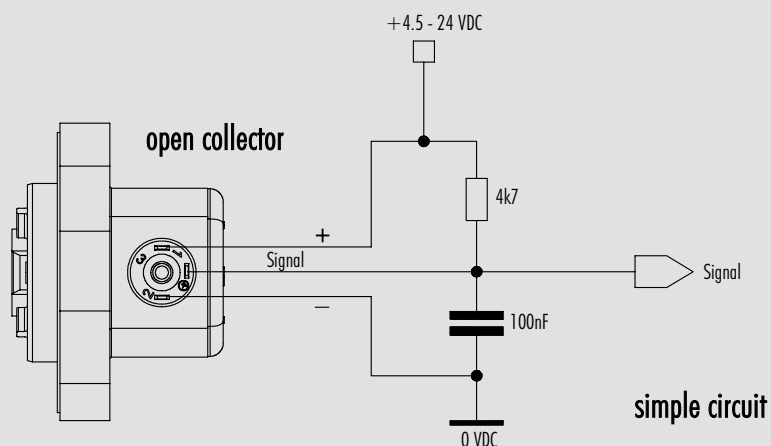
ELECTRONIC

DIGMESA electronic circuitry is always designed for operation with DIGMESA flowmeters. Please note the following if connecting to other electronic circuitry:

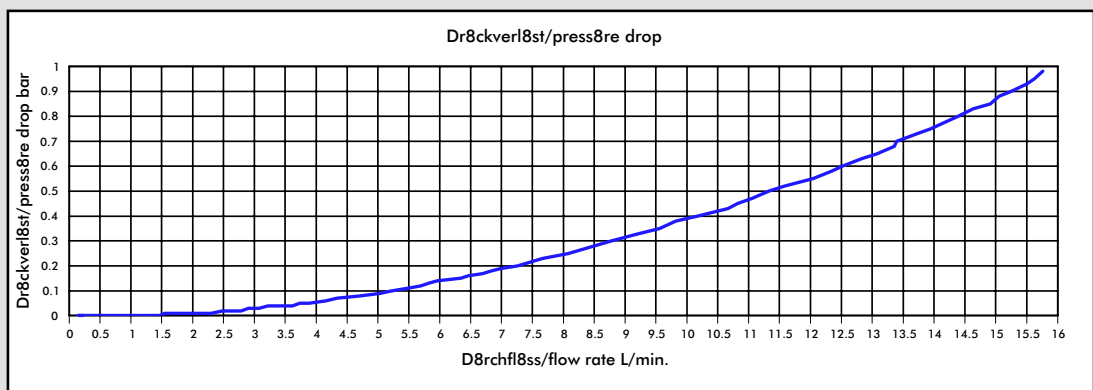
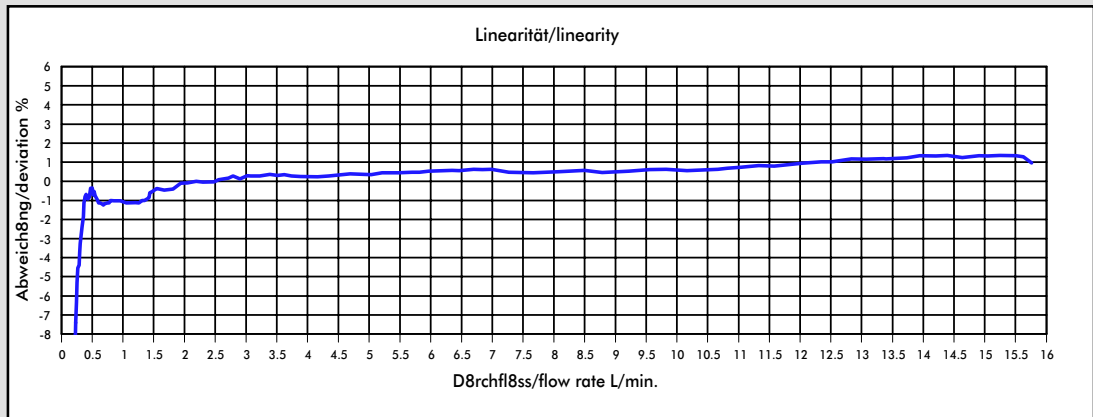
- The flowmeter does not supply an output voltage but switches the signal terminal to 0 V ground (actuated) or leaves it open (non-actuated)
- There must be a pull-up resistor between power supply + and signal depending on electronic circuitry!

Version 01 FFG PVDF 60 934-2360 GB Page 2-5

Interface Connection: Examples Open Collector



Measurement Curve FF PVDF Ø6.00 mm (4 Magnets)



Medium: Water / max. Pressure: 3.3 bar

Nozzle size	Pulses/litre	g/pulse	min. flow rate in litres/min at Linear start	max. flow rate in litres/min	Pressure loss
Ø 1.00 mm	3413	0.2930	0.0207	0.5904	1.00
Ø 2.00 mm	1687	0.5926	0.0585	2.3414	1.00
Ø 3.00 mm	1045	0.9570	0.1105	5.6394	1.00
Ø 4.00 mm	721	1.3857	0.1734	9.1162	1.00
Ø 6.00 mm	382	2.6143	0.3545	15.7592	0.98

MEASUREMENT TIPS

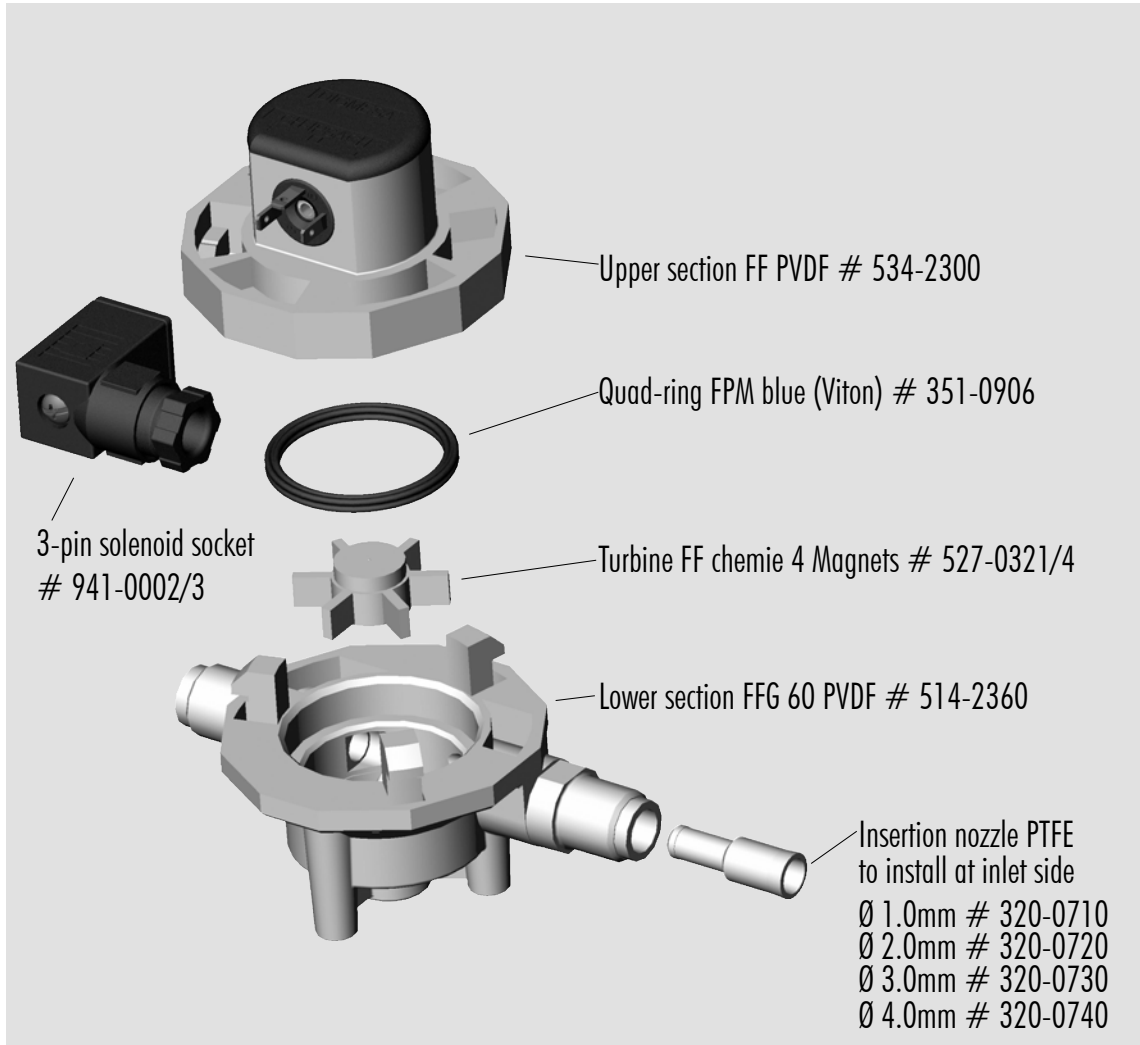
- Ensure that there is no fast-pulsatory movement of the media
- Ensure that there are no reverse pressure surges
- Ensure that there is no air in the system
- Note the mounting position of the flowmeter
- Min/max flow should be in the linear range of the selected flowmeter
- Clean the system at appropriate intervals
- Avoid electrical current peaks
- Incorrect cabling of power supply +, signal and ground will destroy the flowmeter
- Do not mechanically load electrical contacts
- Avoid moisture on the electrical contacts
- Avoid stray pick-up via the cable (Do not lay cables in parallel with high current loads)

The values specified must be considered as approximate values.

The number of pulses per litre may differ depending on medium and installation.

We recommend to calibrate the number of pulses per litre in line with the complete installation.

Spare parts:



Notizen:

We reserve the right to make modifications in the interests of technical progress.

Version 01 FFG PVDF 60 934-2360 GB Page 5-5

DIGITAL